

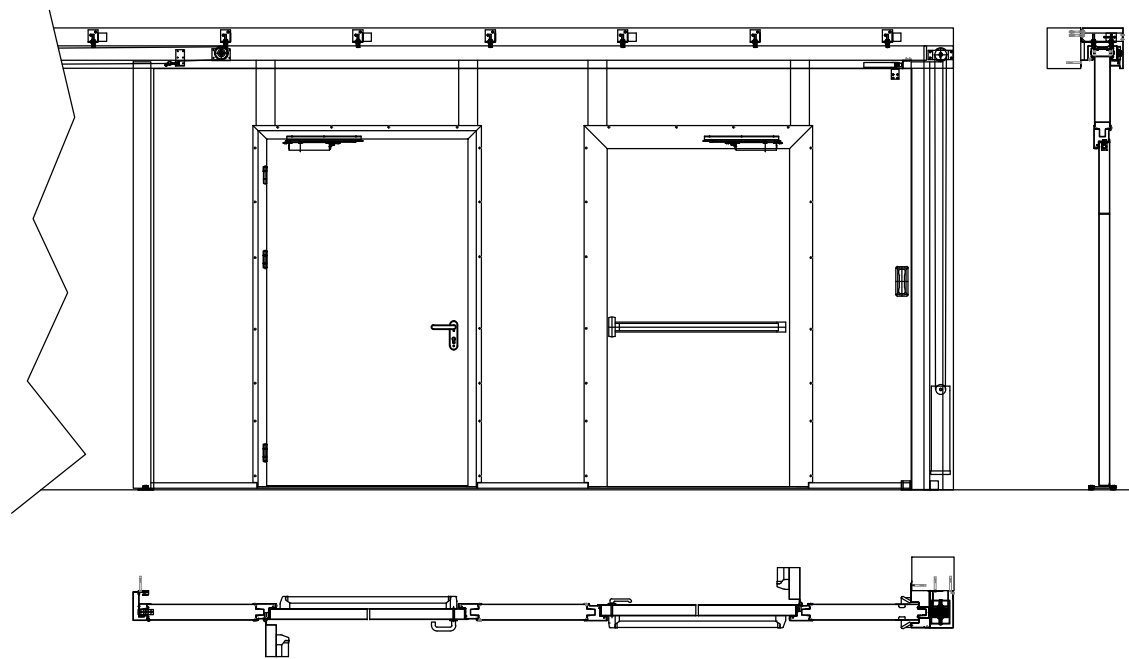
Passageway door in TLB gate

Installation
instruction of
passageway
door in TLB
gate

mercor
ASSA ABLOY

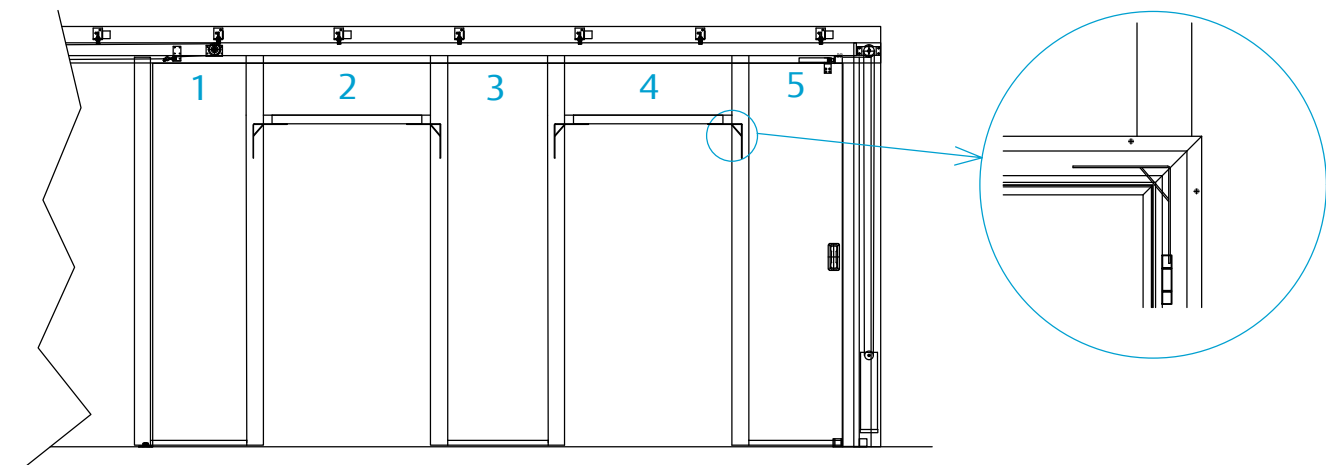
ASSA ABLOY, the global leader
in door opening solutions

1. View and cross section of gate with passageway door

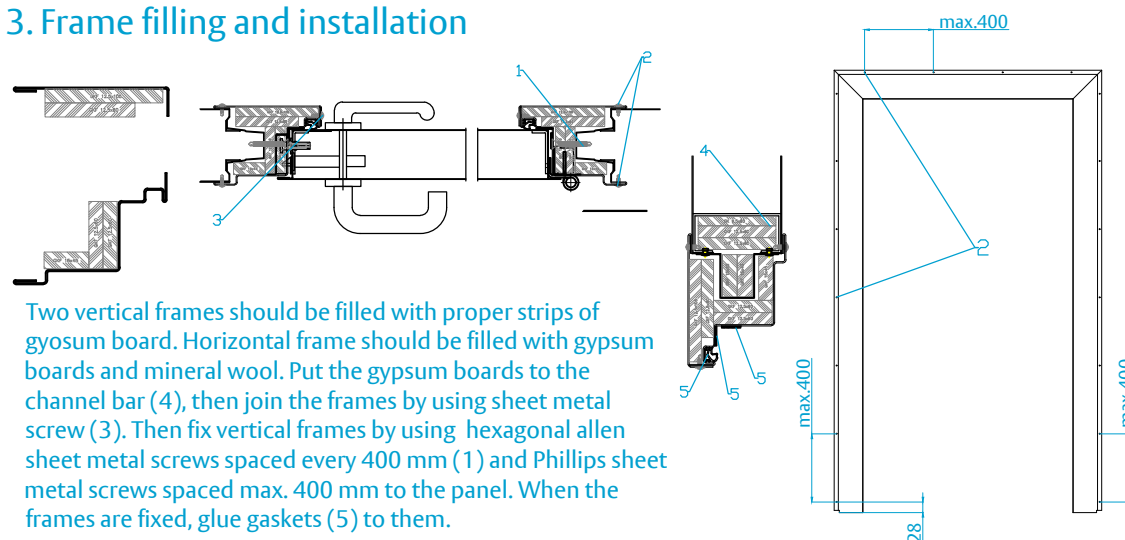


2. Installation of the gate

Gate should be installed by putting lower panels in the places where passageway doors will be installed. Then fix angle bars to feathers of the lateral and bottom panels.

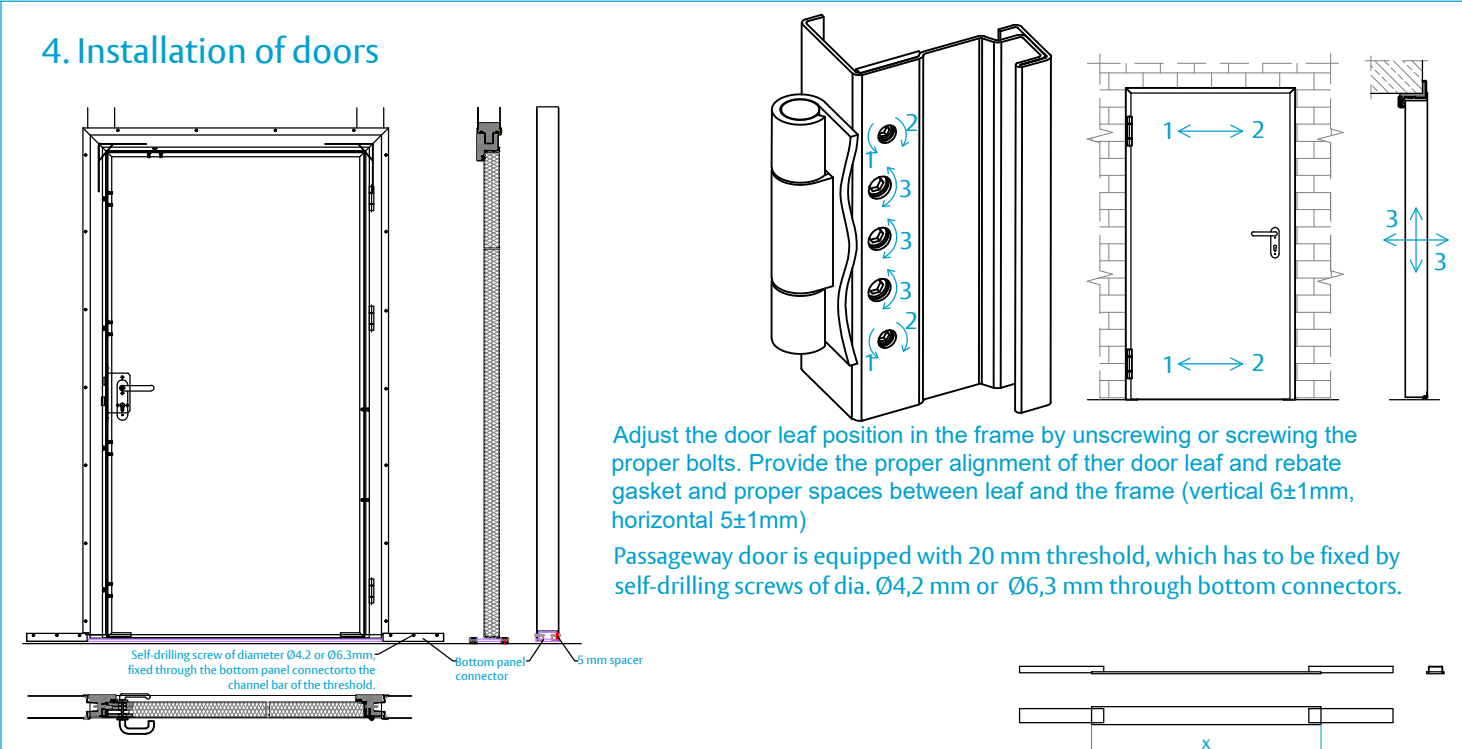


3. Frame filling and installation



Two vertical frames should be filled with proper strips of gypsum board. Horizontal frame should be filled with gypsum boards and mineral wool. Put the gypsum boards to the channel bar (4), then join the frames by using sheet metal screw (3). Then fix vertical frames by using hexagonal allen sheet metal screws spaced every 400 mm (1) and Phillips sheet metal screws spaced max. 400 mm to the panel. When the frames are fixed, glue gaskets (5) to them.

4. Installation of doors



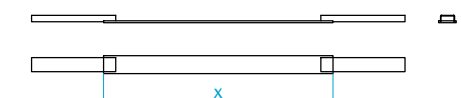
Adjust the door leaf position in the frame by unscrewing or screwing the proper bolts. Provide the proper alignment of their door leaf and rebate gasket and proper spaces between leaf and the frame (vertical 6 ± 1 mm, horizontal 5 ± 1 mm)

Passageway door is equipped with 20 mm threshold, which has to be fixed by self-drilling screws of dia. $\text{Ø}4,2$ mm or $\text{Ø}6,3$ mm through bottom connectors.

Self-drilling screw of diameter $\text{Ø}4,2$ or $\text{Ø}6,3$ mm, fixed through the bottom panel connector to the channel bar of the threshold.

Bottom panel connector

5 mm spacer



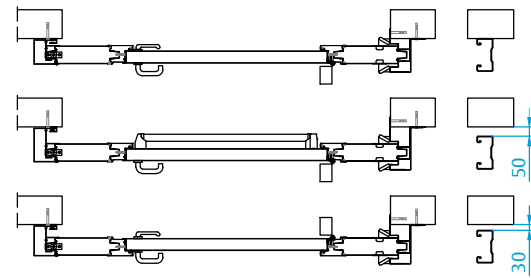
Passageway door in TLB gate (ways of track installation)

Installation
instruction of
passageway
door in TLB
gate

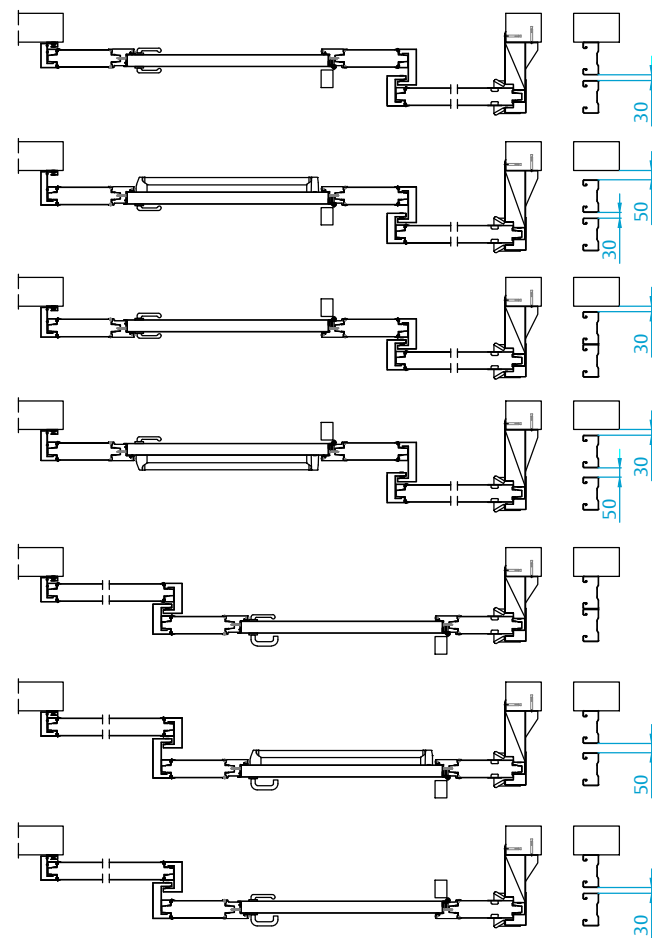
mercor
ASSA ABLOY

ASSA ABLOY, the global leader
in door opening solutions

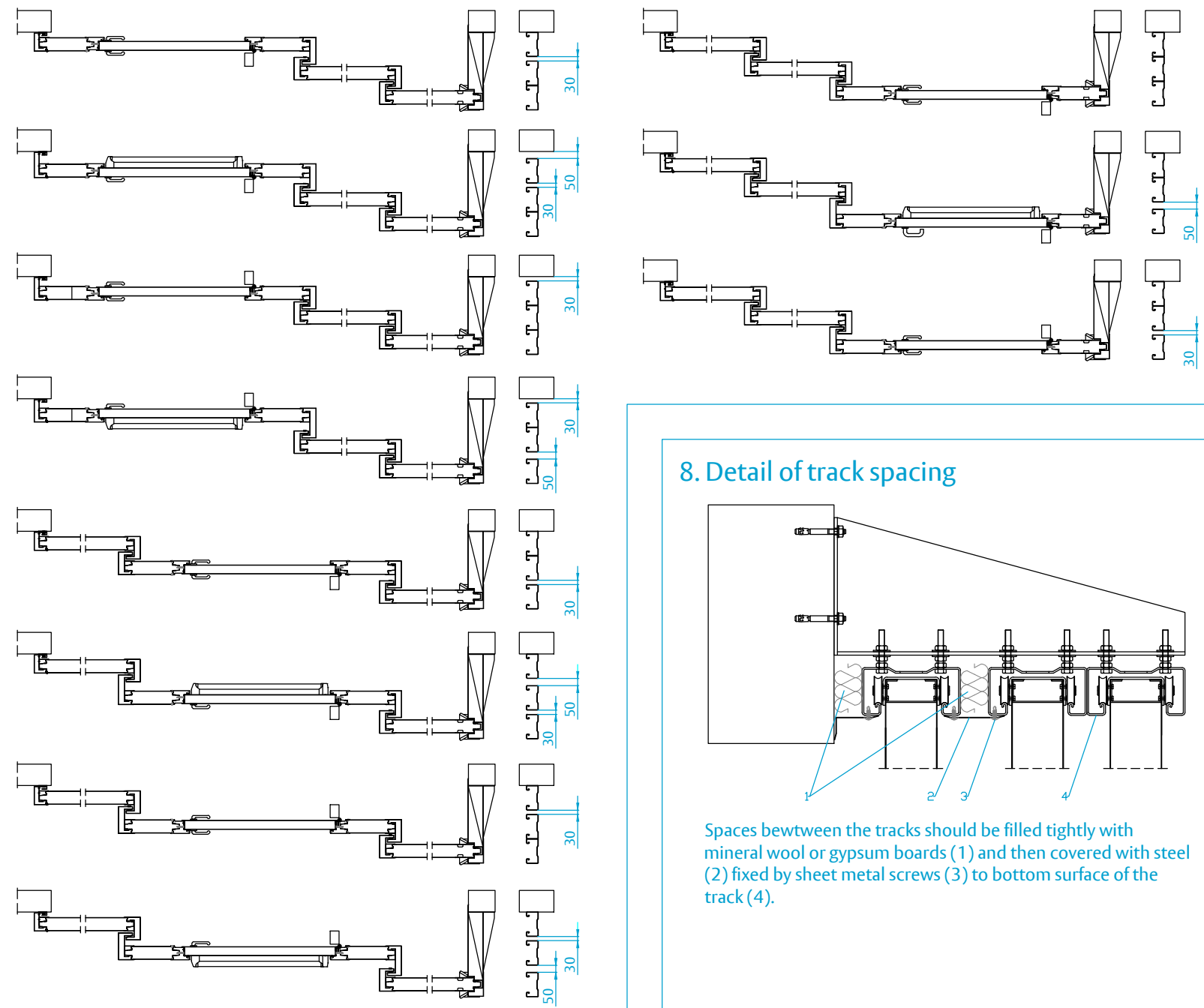
5. Cross sections of sliding gates with passageway doors



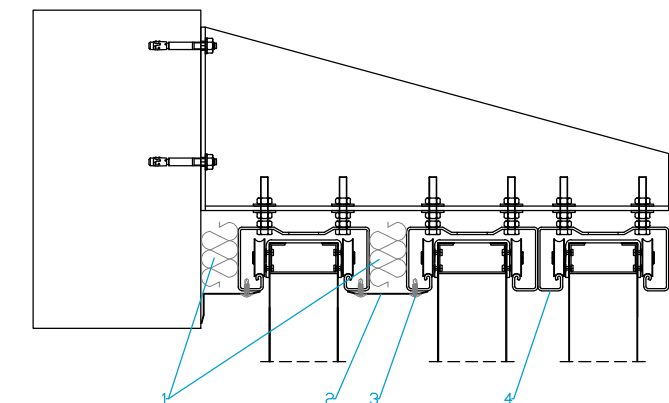
6. Cross section of telescopic gate (double segment) with passageway door



Cross section of telescopic gate (triple segment) with passageway door



8. Detail of track spacing



Spaces between the tracks should be filled tightly with mineral wool or gypsum boards (1) and then covered with steel (2) fixed by sheet metal screws (3) to bottom surface of the track (4).